

VA Series "valve + actuator"



- Pneumatically actuated on/off valve (3/8" to 2")
- High Cv (Flow Coefficient)
- Integrated pneumatic actuator
- Compact assembly
- Complete accessory equipment

VA Series Specifications

COMPACT:

The VA Series combines a pneumatic actuator and valve into one body, eliminating packing glands, actuators and mounting kits.

SAFE:

There are no exposed moving parts, eliminating pinch points and increasing operator safety.

COMPETITIVE:

Since the actuator is part of the valve, costs are greatly reduced when compared to standard actuated valves.

EXTENDED LIFE CYCLE:

Operating life has been tested to well over 1,000,000 cycles, the balanced design reduces friction and wear. The stroke is linear and parallel to the flow reducing the force to close or open the valve dramatically.

FLOW CHARACTERISTICS:

The internal waterway design was designed for optimum flow characteristics.

SPECIFICATIONS:

Maximum pressure: 225 psig

Seats: BUNA, VITON, EPDM

Seals: BUNA, VITON, EPDM

Air pressure required: 40 psig for double acting, 60 to 125 psig for spring return

MODELS AVAILABLE:

NC (normally closed)

NO (normally open)

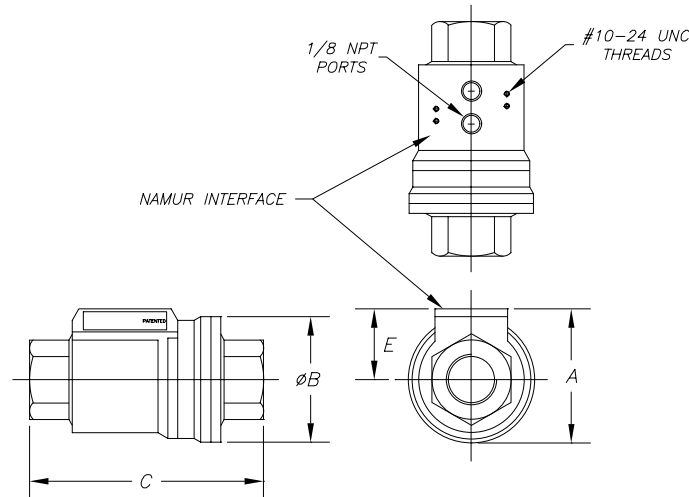
DA (double acting)

CV Chart

| SIZE | CV |
|--------|----|
| 3/8" | 8 |
| 1/2" | 10 |
| 3/4" | 13 |
| 1" | 17 |
| 1 1/4" | 28 |
| 1 1/2" | 57 |
| 2" | 81 |

| Maximum Temperature | Applications: |
|---------------------------------|--|
| BUNA (NBR)seals = -4°F to 176°F | Compatible with air, gas, oils, water, etc. Advised for low temperature. |
| VITON seals = -4°F to 302°F | High compatibility with majority of fluids, not advised for steam. |
| EPDM seals = -4°F to 302°F | High compatibility to steam and hot water (steam limited to 50 psig) not compatible with mineral products. |

VA Series



VA Series Dimensions (inches), weights, Cv, Model number

| Size | A | B | C | E | Cv | Wt (lbs.) | Air Consumption | Model No. |
|---|------|------|--|------|----|--|-----------------|-----------------------|
| 3/8" (B) | 2.11 | 1.81 | 3.60 | 1.21 | 8 | 1.90 | .73 cu. inches | 037VA* ¹²³ |
| 1/2" (C) | 2.33 | 2.00 | 4.21 | 1.31 | 10 | 2.30 | 1.05 cu. inches | 050VA* ¹²³ |
| 3/4" (D) | 2.76 | 2.10 | 4.92 | 1.51 | 13 | 3.70 | 1.90 cu. inches | 075VA* ¹²³ |
| 1" (E) | 3.00 | 2.72 | 5.31 | 1.63 | 17 | 4.15 | 2.45 cu. inches | 100VA* ¹²³ |
| 1 1/4" (F) | 3.59 | 3.39 | 6.02 | 1.90 | 28 | 7.50 | 4.58 cu. inches | 125VA* ¹²³ |
| 1 1/2" (G) | 4.00 | 3.78 | 6.73 | 2.12 | 57 | 8.15 | 6.70 cu. inches | 150VA* ¹²³ |
| 2" (H) | 4.50 | 4.29 | 7.51 | 2.35 | 81 | 12.75 | 9.50 cu. inches | 200VA* ¹²³ |
| *1=Failure position C=Fail Closed, O=Fail Open, D=Double Acting | | | *2=Seat designation B=Buna, V=Viton, E=EPDM | | | *3=Seal designation B=Buna, V=Viton, E=EPDM | | |

VA Series Specifications

VA Series "valve + actuator"

Pneumatically actuated on/off valve
 Electroless nickel plated brass body & trim
 Temperature range: -4°F to 302°F depending on seals
 Pressure rating: 225 psig
 NPT end connections
 Seats: BUNA, VITON, EPDM
 Seals: BUNA, VITON, EPDM
 Air pressure required: 40 psig for double acting,
 60 to 125 psig for spring return

Maximum Temperature

BUNA (NBR) seals = -4°F to 176°F

VITON seals = -4°F to 302°F

EPDM seals = -4°F to 302°F

Applications:

Compatible with air, gas, oils, water, etc.
 Advised for low temperature.

High compatibility with majority of fluids, not
 advised for steam.

High compatibility to steam and hot water
 (steam limited to 50 psig), not compatible
 with mineral products.